

CATER-WASH

Sink with Void - Assembly Instructions

Models: CK8211, CK8201



Caterkwik Ltd

The Lakeland Catering Centre

Newlands

Ulverston

Cumbria

LA12 7QQ

01229 480001

info@caterkwik.co.uk

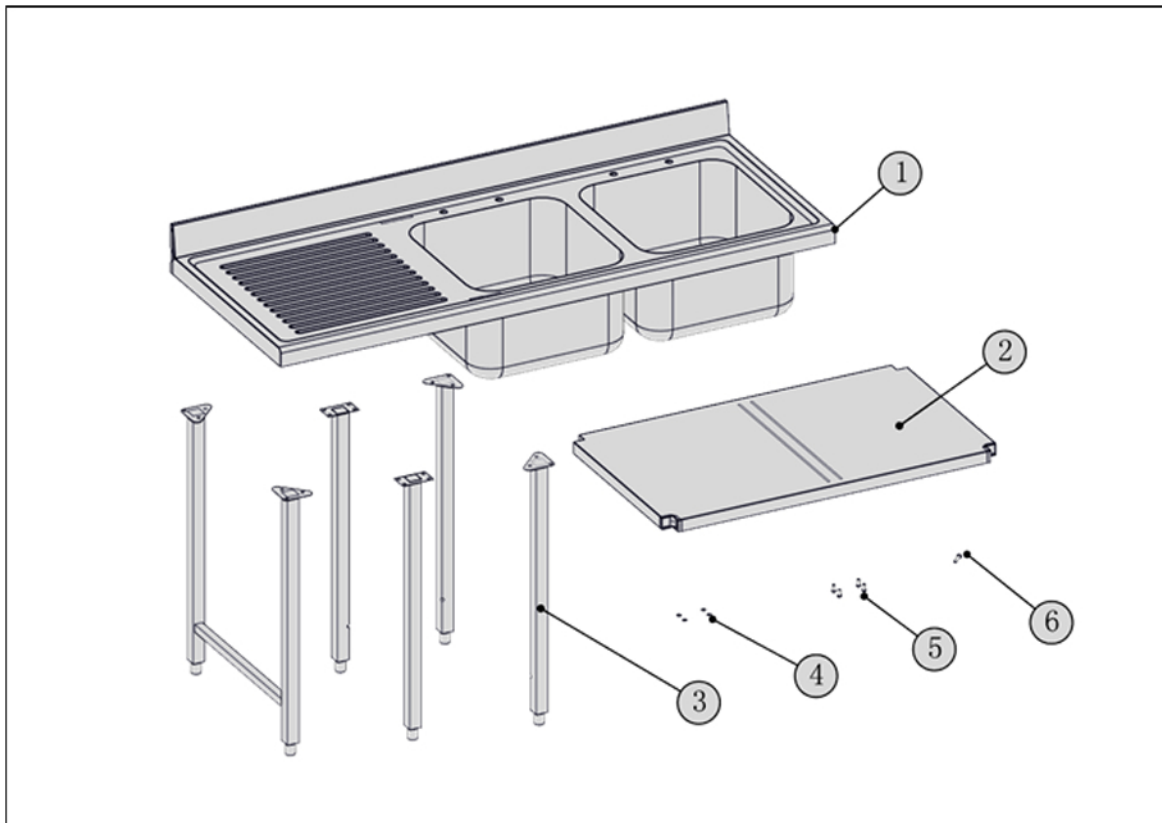




Sink - Assembly Instructions

Parts List

Parts List	Quantity	NO.
Top board	1	1
Under shelf	1	2
38 * 38 square leg	4	3
Gasket	24	4
M8 * 20 screw	20	5
M8 * 40 screw	4	6



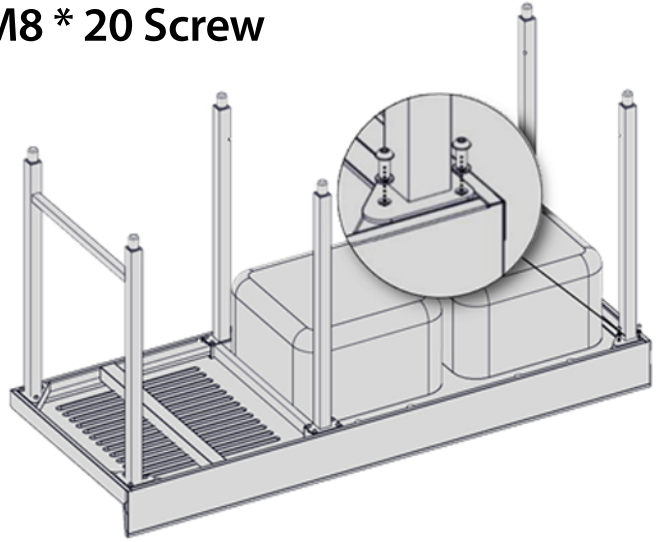
Sink - Assembly Instructions

How To Assemble



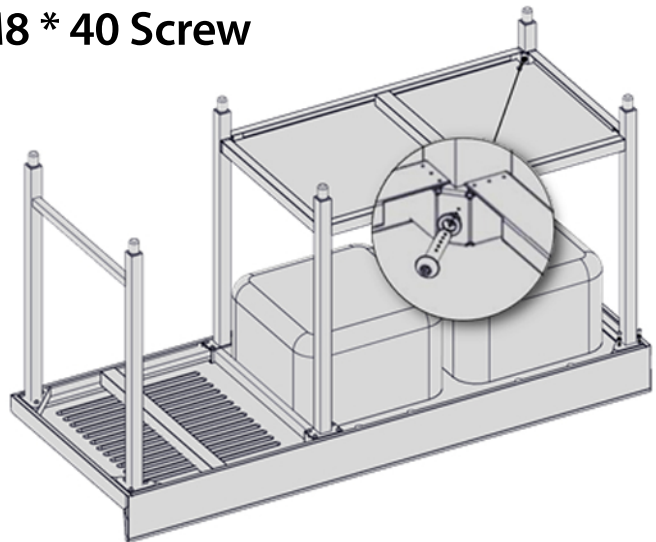
Install 38 * 38 square leg

M8 * 20 Screw



Install the under shelf

M8 * 40 Screw



Installation tools & accessories

